

# 荷兰，鹿特丹，水上九住宅 / BLAUW architecten + FARO Architecten



建筑师：BLAUW architecten + FARO Architecten

地点：荷兰鹿特丹

设计团队：Carin ter Beek, Roel Lichtenberg

项目面积：175 sqm

项目年份：2011

摄影：Jeroen Musch



客户：FiAdes, Zwolle

承包商：Construction Knaap, Rotterdam

工程造价：€ 1.8 million



Palmbout城市景观的城市规划要求在水上设计三组住宅，每组三座住宅共用一个屋顶。三组住宅由水道分开。这些住宅位于堤坝之上，是该地区的标志性建筑之一。住宅与水的关系给家庭生活带来一种特殊的氛围。建筑师还减少了起居室的面积，增加了楼层高度，让人们在这里有尽可能多的空间体验。



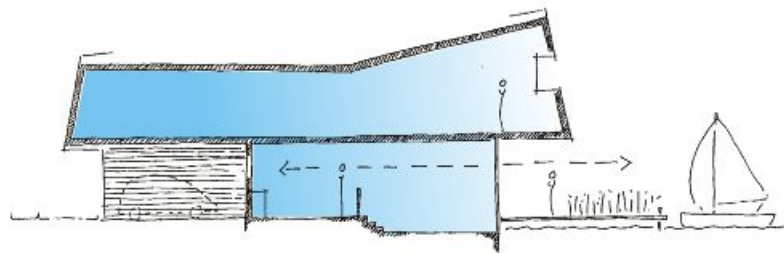
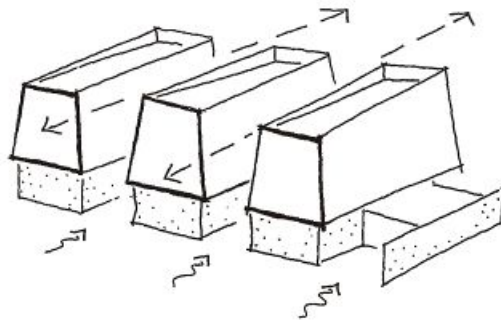
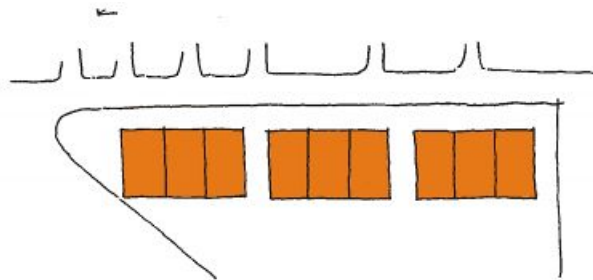
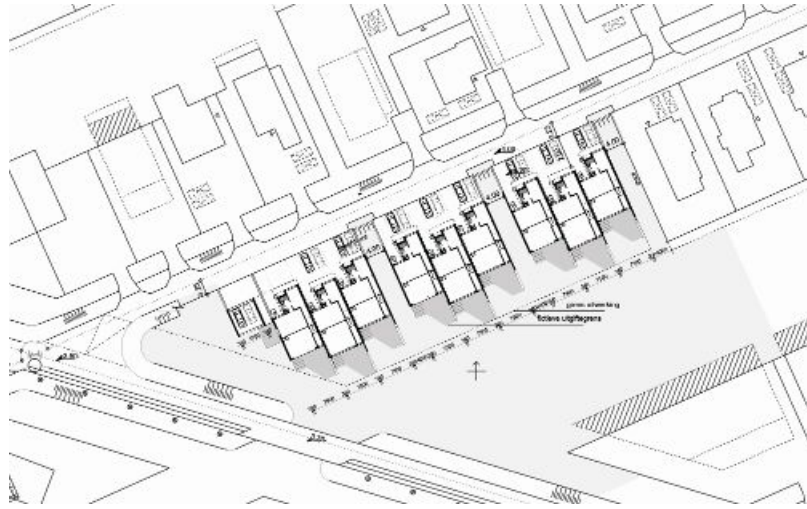
起居室与露台直接相连，建筑师将露台设计得与水面非常接近。从架高的厨房可以自由地向外观赏水景。楼层平面设计宽敞，可以自由共享。住户可以自己选择增加额外的卧室或双浴室，以及车库或车棚。水上生活赋予人们一种自由感。

交错的围板和松散设置的盖顶结构将别墅分隔开。住户可以获得更多的平静与隐私。露台之间的杆柱保证人们向外看的视野。通过屋顶之间的空隙可以看到头顶的天空和外面的景观。









原文:

Architects: <http://blauw-architecten.nl/>BLAUW architecten + <http://www.faro.nl/>FARO Architecten

Location: Rotterdam, The Netherlands

Design Team: Carin ter Beek, Roel Lichtenberg

Area: 175 sqm

Year: 2011

Photographs: <http://www.jeroenmusch.nl/>Jeroen Musch



Client: FiAdeS, Zwolle

Contractor: Construction Knaap, Rotterdam

Cost: € 1.8 million

The urban plan of Palmbout Urban Landscapes asked for three blocks of three-under-one-roof houses on the water. The blocks are separated by waterways. The houses are at the top of the dike and housing are one of the landmarks in the district. The relationship with water gives a special atmosphere to the homes. Also within this sphere as much as possible to experience, we have reduced the living room and given additional floor height.

The living room connects directly to the terrace, which we are very close to the water are placed. From the elevated kitchen look out over the water freely. The floor plan is spacious and free to share. Residents can opt for an extra bedroom or a double bathroom, a garage or shed. Along with living on the water gives a sense of freedom.

We have individual villas given by the staggered skirting and loose caps. The residents get more peace and privacy. Cane collars between the terraces ensure the freedom outside. Between the roofs you see through the air and remains on view through the landscape.